



SOLAR PROTECTION ENERGY EFFICIENT ECO FRIENDLY PRIVACY
ENERGY EFFICIENT ECO FRIENDLY PRIVACY SOLAR PROTECTION
ECO FRIENDLY PRIVACY SOLAR PROTECTION ENERGY EFFICIENT
SOLAR PROTECTION ENERGY EFFICIENT ECO FRIENDLY PRIVACY
ENERGY EFFICIENT ECO FRIENDLY PRIVACY SOLAR PROTECTION
ECO FRIENDLY PRIVACY SOLAR PROTECTION ENERGY EFFICIENT
SOLAR PROTECTION ENERGY EFFICIENT ECO FRIENDLY PRIVACY
ENERGY EFFICIENT ECO FRIENDLY PRIVACY SOLAR PROTECTION
ECO FRIENDLY PRIVACY SOLAR PROTECTION ENERGY EFFICIENT

A W N I N G S Y S T E M S



COMPANY

Rollingshield's awnings are made from the highest quality materials available and manufactured with the strictest attention to detail, performance and durability.

Rollingshield™ is not only dedicated to bringing you the highest quality product but also one that looks good. Most awnings on the market have limitations, among them color and style.

Rollingshield™ has created some of the most impressive and durable systems on the market.

Rollingshield™ is committed to providing a broad spectrum of advanced high quality products that keep pace with the fast moving construction industry.

Rollingshield™ products have given many architects, designers, building contractors, developers and facility managers the competitive edge by allowing them to specify an innovative and effective solution for energy conservation and protection from the effects of the sun. Today these are exciting, new and advanced products that enhance the design, operation and market appeal of any building.

Rollingshield™ has built a reputation for quality craftsmanship by working with a group of architects and engineers that are constantly monitoring the product for reliable performance.

The beauty of Rollingshield™ awnings is that they are designed to complement the existing structure and not detract from its architectural beauty.

For more information on our products, please visit our website: www.rollingshield.com

INDEX Components

Awning System

Cassette Systems

Luxor	2
Contempo	4
Spazio	6

Open Classic Systems

Universal	8
Rollingshade	10

Vertical Awnings

Loggia LS	12
Loggia LF	14

Tension Systems

Alto	16
----------------	----

Pergola

Pergo Rain	18
----------------------	----

Side Awnings

Soleo	20
Terrazzo	22

Accessories	24
-----------------------	----



LUXOR

Cassette Systems

Awning System

The aesthetic and technological design for contemporary architecture.

Rollingshield incorporates Luxor Awning System to its array of solar protection solutions.

Besides extending the living space of patios and gardens, the Rollingshield awning systems allow for light and interior temperature control.

The Luxor Awning style adds aesthetic value and the most advanced technical design.

Optimum tension of the fabric. Adjustable pitch control, faster installation system and optional LED lighting.

FEATURES	APPLICATIONS	SPECIFICATIONS
<p>The attractive design allows LUXOR system to implement accessories such as:</p> <ul style="list-style-type: none"> • LED strip lined within the profile, allowing for better light at night or indoors. • Available motorized only. 	<ul style="list-style-type: none"> • Terraces • Porches • Patios • Pool areas • Balconies • Entrances • Commercial 	<p>Width: 11'6" to 16' Max</p> <p>Projection: 11' 5"</p> <p>Arms: Retractable with vinyl coated straps.</p> <p>Operation: Self-contained tubular motor.</p> <p>Hardware and Frame: 100% maintenance free, powder coated aluminum frame with corrosion free components.</p> <p>Options: Automation ready, remote control, wind sensor and LED lighting.</p> <p>Frame Colors: White, Bronze, and Silver.</p> <p>Fabrics: Over 300 colors and styles available.</p> <p>Warranty: 2-year manufacturer's warranty.</p>
<h3>MOUNTING DETAIL</h3>		
<p style="text-align: center;">SIDE PROFILE</p>		



LUXOR

CONTEMPO

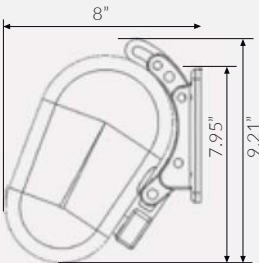
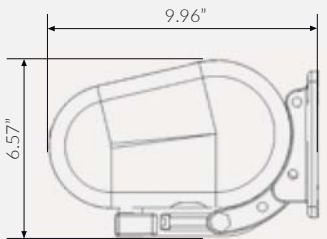
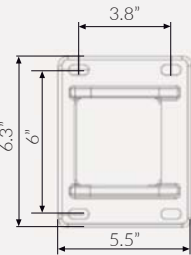


CONTEMPO

Cassette Systems

Awning System

Awning system created to protect the fabric, and for it to last, hiding both arms as well as the canvas once the hood is closed. Inclination of 0° to 32° from both the wall and ceiling. Arms inside the box, improving its electrical performance. Maximum dimensions of 18' width of line and 10'6" projection with 3 arms, and up to 23' of output, with 3 arms.

FEATURES	APPLICATIONS	SPECIFICATIONS
<ul style="list-style-type: none"> • Energy Savings Design. • Provides protection from the damaging effects of the sun. • Adjustable pitch control. • Mounting brackets available for wall or ceiling (soffit). • Hood to protect fabric. • Wind sensors (optional). • Available motorized only. 	<ul style="list-style-type: none"> • Terraces • Porches • Patios • Pool areas • Balconies • Entrances • Commercial 	<p>Width: 13' to 18' standard, and 23' special order.</p> <p>Projection: 10' 6"</p> <p>Pitch: 0° to 32°</p> <p>Arms: Retractable with vinyl-coated cable or pvc-coated stainless steel strap.</p> <p>Operation: Self-contained tubular motor Hardware and Frame: 100% maintenance free, powder coated extruded aluminum frame and stainless steel and brass hardware.</p> <p>Fabrics: Over 300 colors and styles available.</p> <p>Options: Wind sensors, automation ready and remote controls.</p> <p>Warranty: 2-year manufacturer's warranty.</p>
MOUNTING DETAIL		
<div style="display: flex; justify-content: space-around; align-items: flex-start;"> <div style="text-align: center;"> <p>Tube Sizes (not admit roominesses)</p>  </div> <div style="text-align: center;"> <p>Wall Plate Measures</p>  </div> <div style="text-align: center;">  </div> </div>		

SPAZZIO

Cassette Systems

Awning System

Designed to offer protection and durability of the fabrics. The Spazzio allows an inclination of 0° to 32° and 15° to 80° installed to the ceiling mount position. The Spazzio arm assures continuous tension in any position of the awning, offering an additional, elegant, new aesthetic look. The Spazzio is manufactured according to Europe's higher level of quality standards.

FEATURES	APPLICATIONS	SPECIFICATIONS	
<ul style="list-style-type: none"> • Energy Savings Design. • Provides protection from the damaging effects of the sun. • Adjustable pitch control. • Mounting brackets available for wall or ceiling (soffit). • Hood to protect fabric. • Wind sensors (optional). • Available automation ready or manual operation. 	<ul style="list-style-type: none"> • Terraces • Porches • Patios • Pool areas • Balconies • Entrances • Commercial 	<p>Width: 13' to 18"</p> <p>Projection: 9'10"</p> <p>Pitch: 0° to 32° wall mount and below 15° to 80° ceiling mount.</p> <p>Arms: Retractable with vinyl-coated cable.</p> <p>Operation: Self-contained tubular motor Hardware and Frame: 100% maintenance free, powder coated extruded aluminum frame and stainless steel and brass hardware.</p> <p>Fabrics: Over 300 colors and styles available.</p> <p>Options: Wind sensors, automation ready and remote controls.</p> <p>Warranty: 2-year manufacturer's warranty.</p>	
MOUNTING DETAIL			
<div style="display: flex; justify-content: space-around; align-items: flex-start;"> <div style="text-align: center;"> <p>Front Fastening</p> <p>9.17"</p> <p>8"</p> </div> <div style="text-align: center;"> <p>Roof Fastening</p> <p>8"</p> <p>8.74"</p> </div> </div>			



SPAZZIO

UNIVERSAL



PRISMA

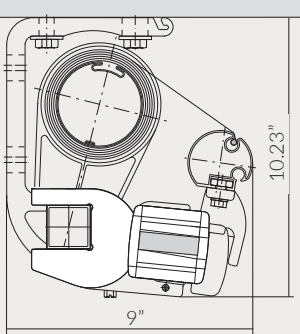
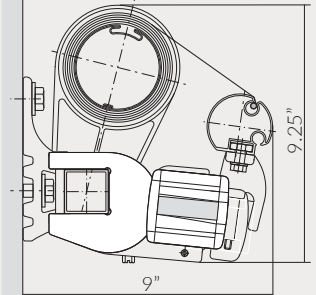
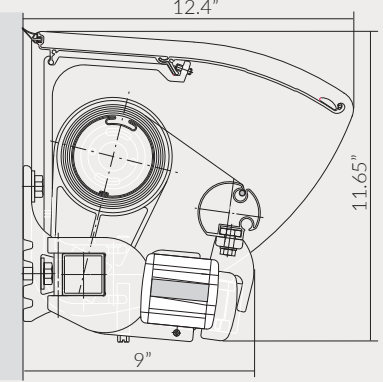
The Prisma is a unique variation of Rollingshield's Universal retractable awning. A bar mounted on top of the elbows not only gives the Prisma its unique look, it also makes it more stable in windy conditions and it impedes water buildup on the fabric if accidentally left out in the rain and provides additional shade.

UNIVERSAL

Open Classic Systems

Awning System

The Universal Awning is one of the most popular and durable of the retractable awnings. The Universal Awning has a wide array of applications, including residential and commercial structures. The system is available with the traditional hand crank mechanism or with the more advanced motorized operation, for easy control and use.

FEATURES	APPLICATIONS	SPECIFICATIONS
<ul style="list-style-type: none"> • Energy Saving Design. • Provides protection from the damaging effects of the sun. • Adjustable pitch control. • Mounting brackets available for wall or ceiling (soffit). • Hood to protect fabric. • Sun and wind sensors. • Available automation ready or manual operation. 	<ul style="list-style-type: none"> • Terraces • Porches • Patios • Pool areas • Balconies • Entrances • Commercial 	<p>Width: 8' to 24'</p> <p>Projection: Min: 4' 11" Max: 11'5"</p> <p>Pitch: 0° to 40°</p> <p>Arms: Retractable with vinyl-coated cable or pvc-coated stainless steel strap.</p> <p>Operation: Manual hand crank or self-contained tubular motor.</p> <p>Hardware & Frame: 100% maintenance free, powder coated extruded aluminum frame and stainless steel and brass hardware.</p> <p>Fabrics: Over 300 colors and styles available.</p> <p>Options: Aluminum hood, wind and sun sensors, automation ready and remote controls.</p> <p>Warranty: 2-year manufacturer's warranty.</p>
MOUNTING DETAIL		
<div style="display: flex; justify-content: space-around; text-align: center;"> <div data-bbox="286 997 414 1021"> <p>Wall Mount</p>  </div> <div data-bbox="604 997 761 1021"> <p>Ceiling Mount</p>  </div> <div data-bbox="929 997 1176 1021"> <p>Wall Mount with Hood</p>  </div> </div>		

ROLLINGSHADE

Open Classic Systems

Awning System

The Rollingshade Awning is the most popular of the retractable awnings. The Rollingshade Awning has a wide array of applications, including residential and commercial structures. The system is available with the traditional hand crank mechanism or with the more advanced motorized operation, for easy control and use.

FEATURES	APPLICATIONS	SPECIFICATIONS
<ul style="list-style-type: none"> • Energy Savings Design. • Provides protection from the damaging effects of the sun. • Adjustable pitch control. • Mounting brackets available for wall or ceiling (soffit). • Hood to protect fabric. • Wind sensors. • Available motorized or with manual hand crank. 	<ul style="list-style-type: none"> • Terraces • Porches • Patios • Pool areas • Balconies • Entrances • Commercial 	<p>Width: 8' to 24'</p> <p>Projection: 8'2" to 11'5"</p> <p>Pitch: 0° to 40°</p> <p>Arms: Retractable with vinyl coated cables.</p> <p>Operation: Manual hand crank or self contained tubular motor.</p> <p>Hardware and Frame: 100% maintenance free, powder coated extruded aluminum frame, stainless steel, galvanized steel and brass hardware.</p> <p>Fabrics: Over 300 colors and styles available.</p> <p>Options: Wind sensors, automation ready, manual override and remote controls.</p> <p>Warranty: 2-year manufacturer's warranty.</p>
MOUNTING DETAIL		



ROLLINGSHADE

LOGGIALS



LOGGIA LS

Vertical Awnings

Awning System

The Loggia LS has a wide array of applications, including residential and commercial structures. The Loggia LS system is available with the traditional hand crank mechanism or with the more advanced motorized operation, for easy control and use. This system will fit virtually any window large or small.

FEATURES	APPLICATIONS	SPECIFICATIONS
<ul style="list-style-type: none"> • Energy Savings Design. • Provides protection from the damaging effects of the sun. • Mounting brackets available for wall or ceiling (soffit). • Hood to protect fabric. • Sun and wind sensors (optional). • Available automation ready or manual operation. 	<ul style="list-style-type: none"> • Terraces • Porches • Patios • Pool areas • Balconies • Entrances • Commercial 	<p>Width: 3' 3" to 19' 8"</p> <p>Height: Maximum of 9'10"</p> <p>Operation: Manual Geiger gear/hand crank or self contained tubular motor.</p> <p>Hardware and Frame: 100% maintenance free, powder coated extruded aluminum frame and stainless steel and brass hardware.</p> <p>Fabrics: Over 300 colors and styles available.</p> <p>Options: Wind and sun sensors, automation ready, and remote controls.</p> <p>Warranty: 2-year manufacturer's warranty.</p>
<p>MOUNTING DETAIL</p>		
		

LOGGIA LF

Vertical Awnings

Awning System

The Loggia LF model is a variation of the LS. The LF comes with arms (attached to the structure) that allow the awning to extend outward away from the window. The Loggia LF system is also available with the traditional hand crank mechanism or with the more modern motorized operation, for easy control and use.

FEATURES	APPLICATIONS	SPECIFICATIONS
<ul style="list-style-type: none"> • Energy Savings Design. • Protection from the effects of the sun and UV rays. • Controls light and reduces heat and glare. • Reduces energy costs by as much as 30%. • Mounting brackets available for wall or ceiling (soffit). • Sun and wind sensors. 	<ul style="list-style-type: none"> • Residential sun protection. • Commercial energy conservation. 	<p>Width: 3'3" to 15'3"</p> <p>Height of Unit: 6"</p> <p>Projection: 3" 11", 4' 7" and 5' 3"</p> <p>Height: Maximum of 5'10"</p> <p>Pitch: 110°</p> <p>Arms: Drop with tension spring.</p> <p>Operation: Manual gear/hand crank or self contained tubular motor.</p> <p>Hardware and Frame: 100% maintenance free, powder coated extruded aluminum frame, stainless steel, galvanized steel and brass hardware.</p> <p>Fabrics: Over 300 colors and styles available.</p> <p>Options: Wind and sun sensors, automation ready, and remote controls.</p> <p>Warranty: 2-year manufacturer's warranty.</p>
MOUNTING DETAIL		
 <div style="display: flex; justify-content: space-around; align-items: flex-start;"> <div style="text-align: center;"> <p>Wall Mounting</p>  </div> <div style="text-align: center;"> <p>Ceiling Mounting</p>  </div> </div> <p style="text-align: center;">Degree of Inclination</p> <div style="display: flex; justify-content: space-around;"> <div style="text-align: center;"> <p>Wall Mounting</p>  </div> <div style="text-align: center;"> <p>Ceiling Mounting</p>  </div> </div>		



LOGGIA ALF

ALTO



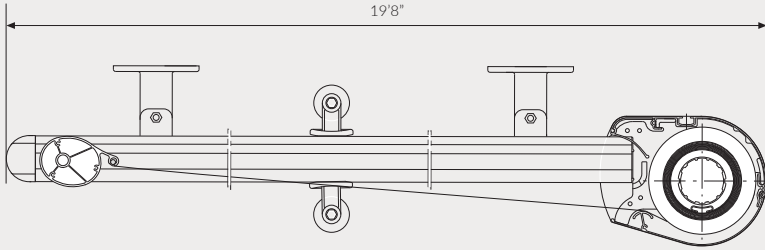

ALTO

Tension Systems

Awning System

The Alto Systems are the perfect solution for any greenhouse application. The systems are designed to fit certain curved and straight surfaces. Alto systems are designed for sophisticated motorized operation only.

Due to special design and installation considerations, Rollingshield only provides Alto Systems installed.

FEATURES	APPLICATIONS	SPECIFICATIONS
<ul style="list-style-type: none"> • Energy Savings Design. • Protection from the effects of the sun and UV rays. • Controls light and reduces heat and glare. • Reduces energy costs by as much as 30%. • Straight or radius tracks to conform to specific shapes. • Sun and wind sensors. 	<ul style="list-style-type: none"> • Residential sun protection • Winter gardens • Greenhouse • Sunrooms • Skylights • Commercial 	<p>Width: 3' 3" to 16'5"</p> <p>Projection: Min: 5' 5" Max: 19'8"</p> <p>Guide: Powder coated extruded aluminum guide rails with integrated tension spring.</p> <p>Operation: Self-contained tubular motor.</p> <p>Hardware and Frame: 100% maintenance free, powder coated extruded aluminum frame and stainless steel and brass hardware.</p> <p>Fabrics: Over 300 colors and styles available.</p> <p>Options: Wind and sun sensors, automation ready, and remote controls.</p> <p>Warranty: 2-year manufacturer's warranty.</p>
MOUNTING DETAIL		
<p>Alto</p> 	<p>Front View of Alto Wall Mounting Bracket</p> 	

PERGO RAIN

Pergo-Rain Systems

Awning System

The new Pergo System, is specially designed for rain protection. It adapts to all weather conditions, making it a must all year round due to its excellent features. Pergo-Rain is manufactured with lacquered aluminum materials. This structure ensures protection against environmental corrosion. The canvas utilizes opaque fabric and weatherproof PVC, which is constructed in a way that all of the water collected is directed through the built-in gutters, this causes the water to evacuate through the inside of the rails and not through the sides of the Pergola. The Pergo-Rain is manufactured to withstand rain, wind and provide sun protection. No matter the season, it helps to regulate the weather in the Pergola area.

FEATURES	APPLICATIONS	SPECIFICATIONS
<p>The attractive design allows PERGO-RAIN system to implement accessories such as:</p> <ul style="list-style-type: none"> • LED strips in the little profiles (palillera), allowing for better light at night or indoors. • Modular system. 	<ul style="list-style-type: none"> • Terraces • Patios • Pool areas • Entrances • Commercial 	<p>Max. Width: 36' in 3 sections (12' max in each section).</p> <p>Max. Projection: 21'</p> <p>Operation: Motorized and home automation option available.</p> <p>Fabrics: 5 colors and styles available.</p> <p>Options: Zipper screen system.</p> <p>Warranty: 2-year manufacturer's warranty.</p>



PERGO RAIN

SOLEO

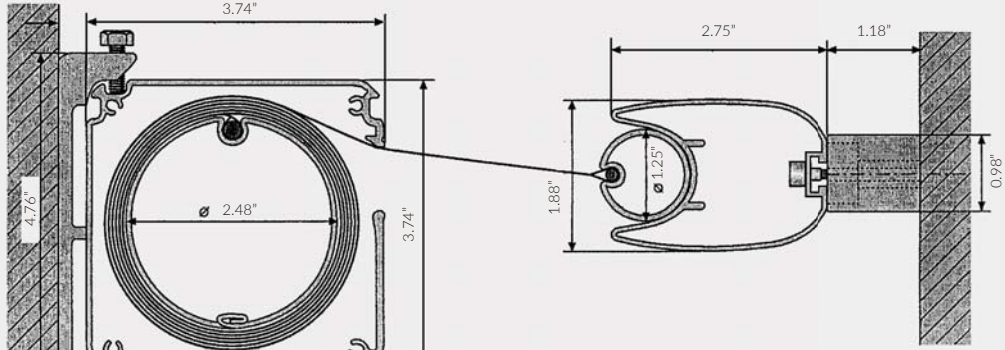


SOLEO

Side Awnings

Awning System

Side awning system with spring loaded fabric retracting in a fully enclosed cassette. This side cassette awning has been designed for privacy and wind protection. The Soleo can be installed in wall to wall or optional, wall to post.

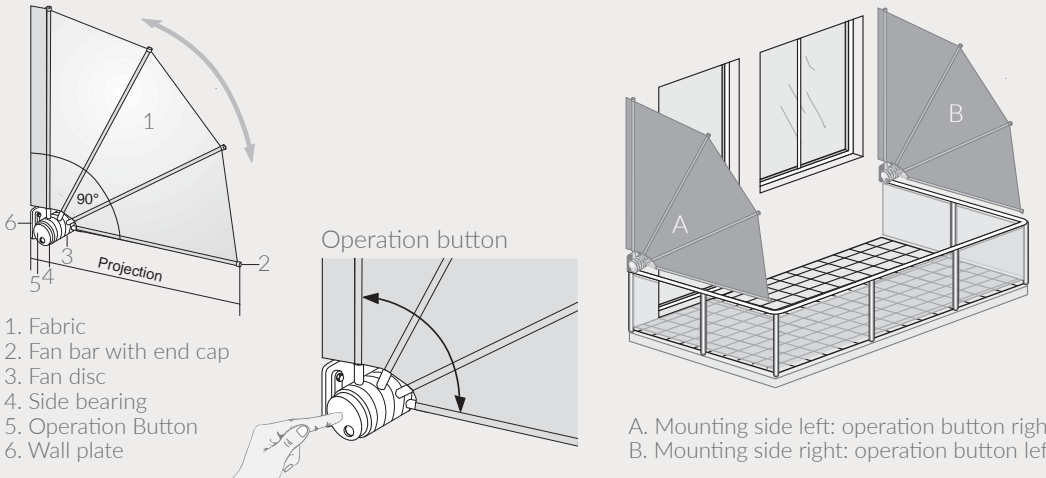
FEATURES	APPLICATIONS	SPECIFICATIONS
<ul style="list-style-type: none"> • Provides protection from the damaging effects of the sun. • Cassette to protect fabric. • Wall mounting brackets. • Manually operated. 	<ul style="list-style-type: none"> • Terraces • Porches • Patios • Pool areas • Balconies • Entrances • Commercial 	<p>Height of Unit: Height 5'6" or 6'10"</p> <p>Projection: From 4.9' up to 11.47'</p> <p>Frame Colors: Anthracite powder coated.</p> <p>Fabrics: Standard fabric: grey, orange, red, soltis 90 white, yellow, nopped brown, nopped grey, soltis90 blue. Soltis fabric with slight transparency and good cleaning quality.</p> <p>Operation: Hand Operation.</p> <p>Warranty: 2-year manufacturer's warranty.</p>
MOUNTING DETAIL		
 <p>The technical drawing illustrates the mounting detail of the Soleo awning. It includes a side view on the left and a top view on the right. The side view shows the awning mounted to a wall, with a height of 4.76" and a width of 3.74". The top view shows the awning's profile, with a width of 2.75" and a depth of 1.18". A circular detail shows a diameter of 2.48" and a height of 1.88". A vertical dimension of 0.98" is also indicated.</p> <p style="text-align: center;">View from Top</p>		

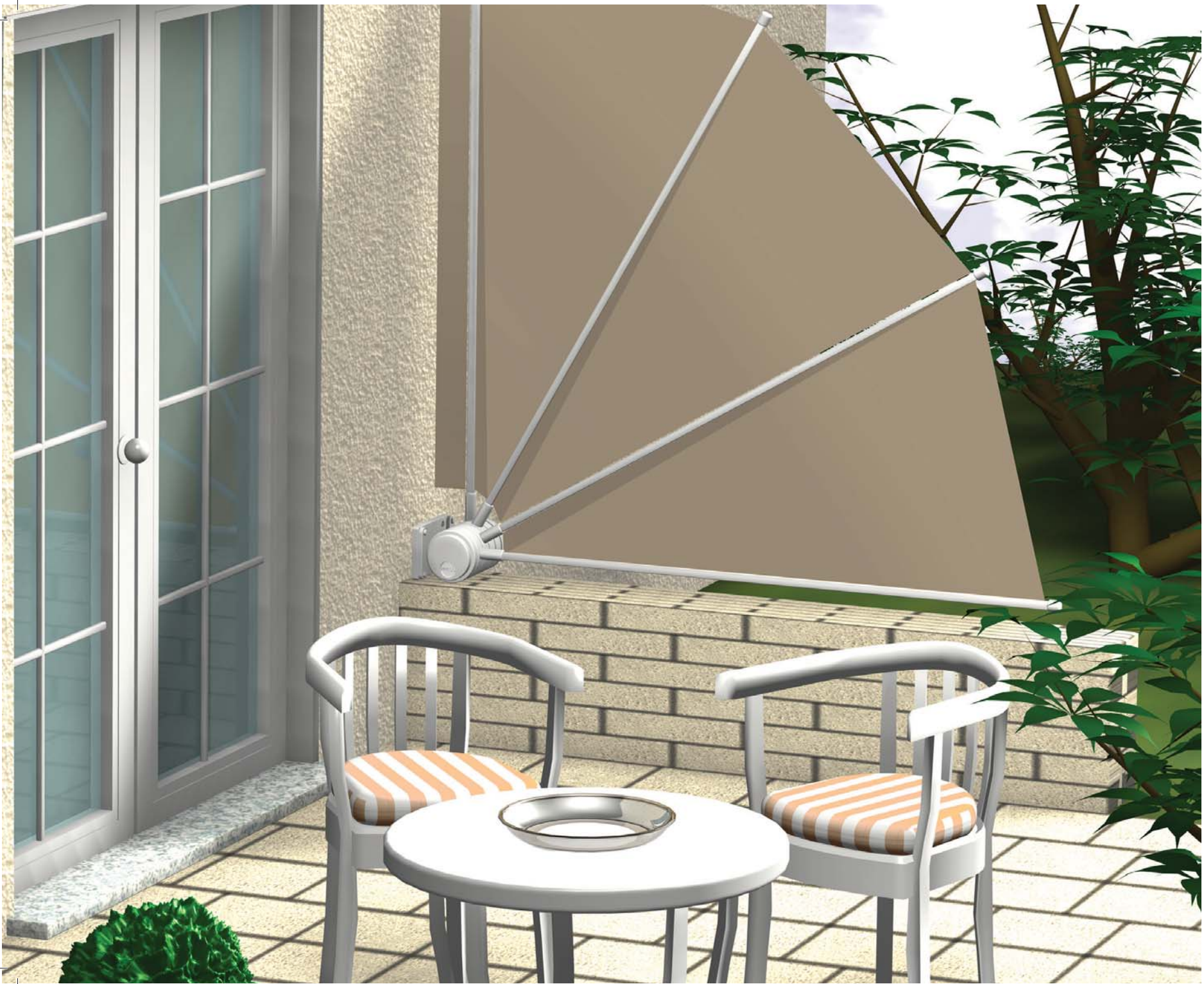
TERRAZZO

Side Awnings

Awning System

Fan, fan bars and side bearings made of aluminum, fan discs made of white plastic. Fabric in 8 standard colors. Includes white weather protection cover.

FEATURES	APPLICATIONS	SPECIFICATIONS
<ul style="list-style-type: none"> • Provides protection from the damaging effects of the sun. • Wall mounting brackets. • Cassette to protect fabric. • Sun and wind sensors. • Gives you privacy in your outdoor space. • Manually operated. 	<ul style="list-style-type: none"> • Terraces • Porches • Patios • Pool areas • Balconies • Entrances • Commercial 	<p>Projection and angle: Projection 3'28"/4'10"/4'92"/5'74" Angle 90°</p> <p>Installation Side: Left or right (seen from outside) Please advise at order! Mounting side left: operation button right. Mounting side right: operation button left.</p> <p>Frame Colors: Standard color: White powder coated</p> <p>Fabrics: Standard fabric: grey, orange, red, soltis 90 white, yellow, nopped brown, nopped grey, Soltis® 90 blue. Soltis® fabric with slight transparency and good cleaning quality.</p> <p>Operation: Hand operation.</p> <p>Warranty: 2-year manufacturer's warranty.</p>
MOUNTING DETAIL		
 <p>The mounting detail section contains three diagrams. On the left, a diagram shows the assembly of the awning fabric onto the fan bar. It is numbered 1 through 6: 1. Fabric, 2. Fan bar with end cap, 3. Fan disc, 4. Side bearing, 5. Operation Button, 6. Wall plate. A 90-degree angle is indicated between the fan bar and the fabric. In the center, a diagram shows a hand operating the 'Operation button' on the side of the awning. On the right, a diagram shows two installation scenarios: 'A. Mounting side left: operation button right' and 'B. Mounting side right: operation button left'.</p>		



TERRAZZO

FABRICS

Sunbrella® Fabrics

Sunbrella® is an all solution dyed acrylic fabric and is made from 100 percent solution-dyed acrylic yarns. Solution-dyeing is the process of adding color to acrylic fibers during manufacturing while they are in a liquid state.

Color goes all the way through the fabric not just on the surface so it looks beautiful year after year. This is the main characteristic of solution dyed fabrics and is the key to locking in color, easy cleaning and long life.

Soltis® Fabrics

Soltis® fabrics are mesh PVC fabrics for use with most Rollingshield™ shading systems. Due to their micro-aerations, Soltis® textiles regulate the sun's heat. Installed on the outside of windows, Soltis® absorbs and reflects up to 97 percent of the heat generated by the sun. The wide range of Soltis® colors is based on the Natural Color System (NCS). It lets you choose the color giving the light transmission coefficient best suited to your needs, while preserving the architectural harmony of your environment. Soltis® textiles are wind and weather resistant. The high tenacity polyester yarn reinforcement makes them exceptionally resistant to wind and intensive uses.

MOTORIZATION BY ROLLINGSHIELD™

Tubular Motors

Rollingshield™'s line of tubular motors provides the perfect solution for adding sophisticated operation to rollshutters and shades. This internal tubular motor system can be operated by a simple wall switch or remote control. Either the 500 or 600 series motors can be standard or with manual override operation. They provide 40 Nm or 100 Nm of torque power respectively. Rollingshield™'s powerful motors are suited for virtually any shutter or shading application.



Sophisticated Controls for Motorized Shutters and Shades

Rollingshield™'s line of electronic controls offers a wide array of remote options for shutters and shades. Remote transmitters can range from a single open/close channel to 99 channels. These controls can be arranged in various combinations to operate single, multiple, or grouped motors. Sun and wind sensors can be added for automated operation with operator selected parameters.



ACCESORIES

Awning Systems

Sun and Wind Sensor

This sensor allows a motorized awning or shade to be set to open or closed based on how much sunlight or wind is affecting it. This provides a very convenient way to shade any structure at the point where damaging sunlight and UV rays are at their worst. When wind gusts reach a potentially damaging strength, the wind sensor will close the shutter. Once conditions go back to normal, the sensor returns the shade to its previous position.



RF Receiver

This receiver is connected to the tubular motor and is controlled by any one of Rollingshield™'s remote transmitters. The RF receiver can be connected directly to a Wind Only sensor and operated by either a wall switch or remote control.

Remote Controls (Transmitters)

All remotes have an operating range of 18 yards indoors and over 150 yards outdoors. They can penetrate two interior walls and transmit at 433.92 MHz. All Rollingshield™ transmitters and receivers operate on RF (radio frequency) so it is not necessary to have line-of-site in order to function.

Home Automation

All automation motorized systems can be integrated in existing home automation.





MIAMI Showroom
9875 NW 79th Avenue
Miami, FL 33016
305.436.6661

1.800.474.9404
www.rollingshield.com

FORT MYERS Showroom
12014 Metro Parkway
Ft. Myers, FL 33966
239.362.0089